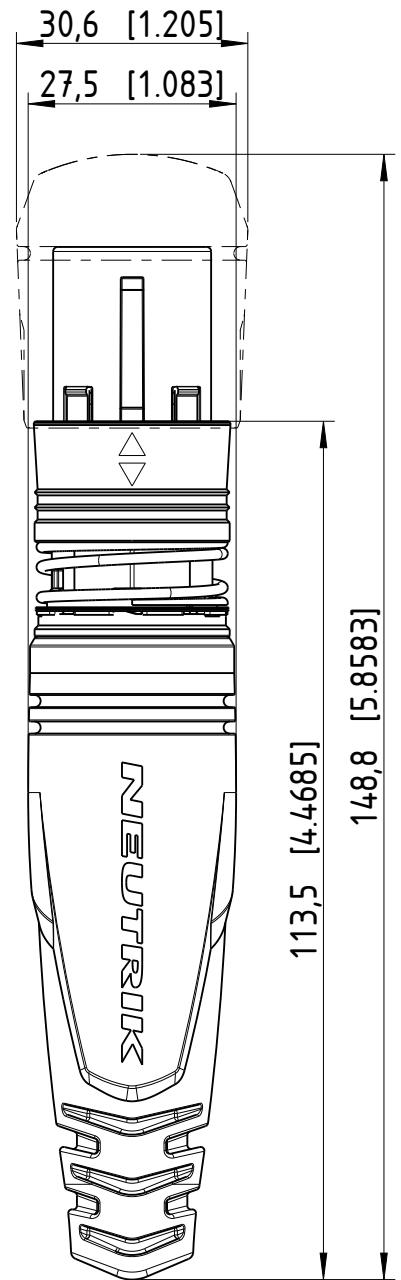
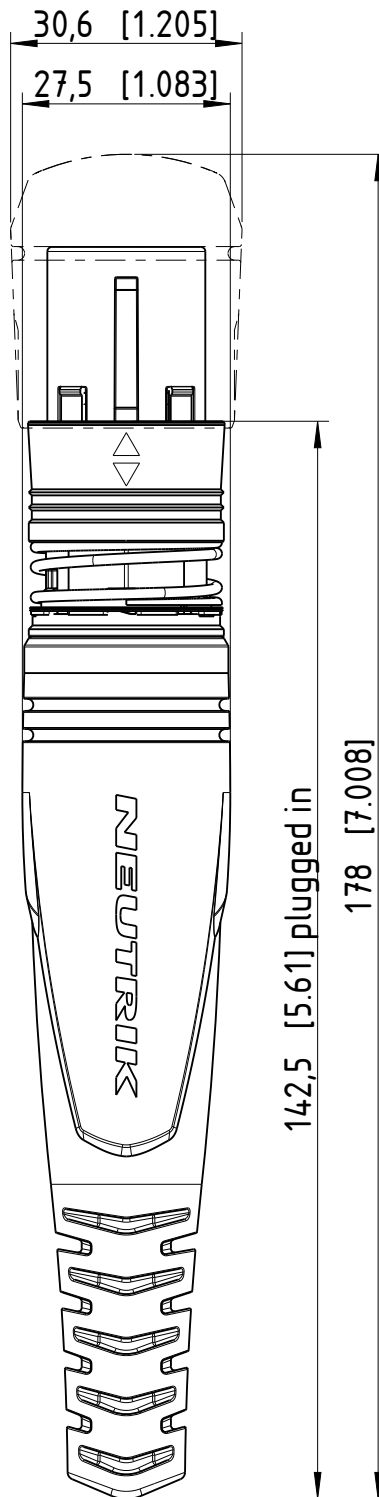
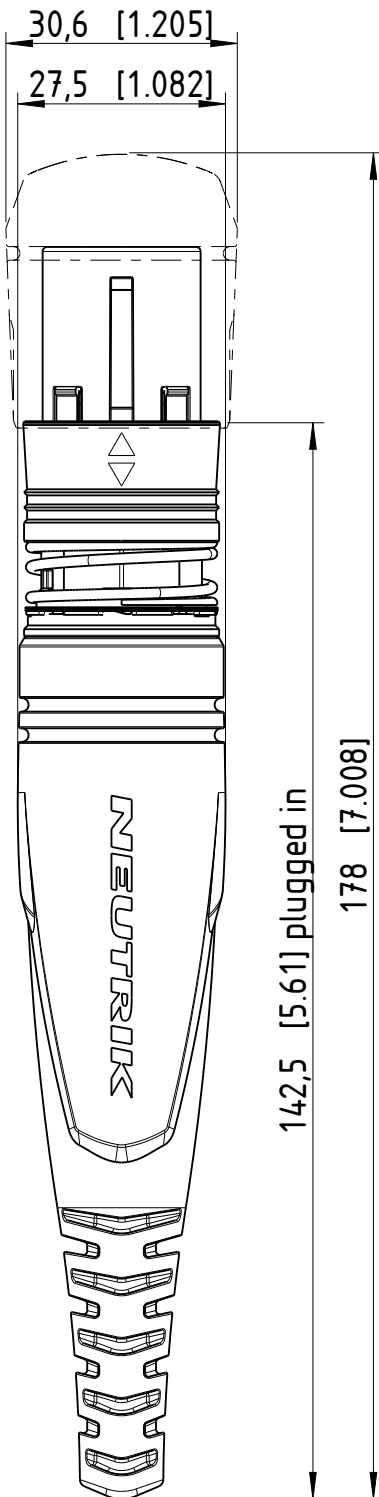


opticalCON DUO X-TREME
 opticalCON DUO HYBRID
 opticalCON DUO LOW VOLTAGE
 opticalCON DUO SMPTE

opticalCON DUO 2-CHANNEL

opticalCON DUO ARMORED



↑
 cable length
 (boot to boot)

Sheet Number 1/1	Projection 	Scale 1:1	Format A4	General Tolerancing ISO 2768 mK	
Description			Created on/by	22.08.2012	Koch M.
NK02_-A			Approved on/by	11.10.2022	Mangeng M.
			Article ID	Model ID	Drawing ID
			KMAT_001	ST-NK02_-A	20003993
Status			Revision	ECN Number	
Released			-	-	
			Neutrik Group		