



# OPERATING INSTRUCTION

## powerCON® TRUE1 | Cable Connector

### 1. CONNECTING



**Note:**  
When connecting, match the notch on the cable connector to the corresponding guide slot on the chassis.

**! SAFETY WARNING**  
incorrect insertion may cause electrical contact misalignment resulting in equipment malfunction and/or personal injury.



**Note:**  
After inserting properly as in illustration **A**, twist the cable connector clockwise to lock.



**Note:**  
The proper twist-lock is achieved when the yellow tab is in the position shown in **C** and an audibel «click» is heard.

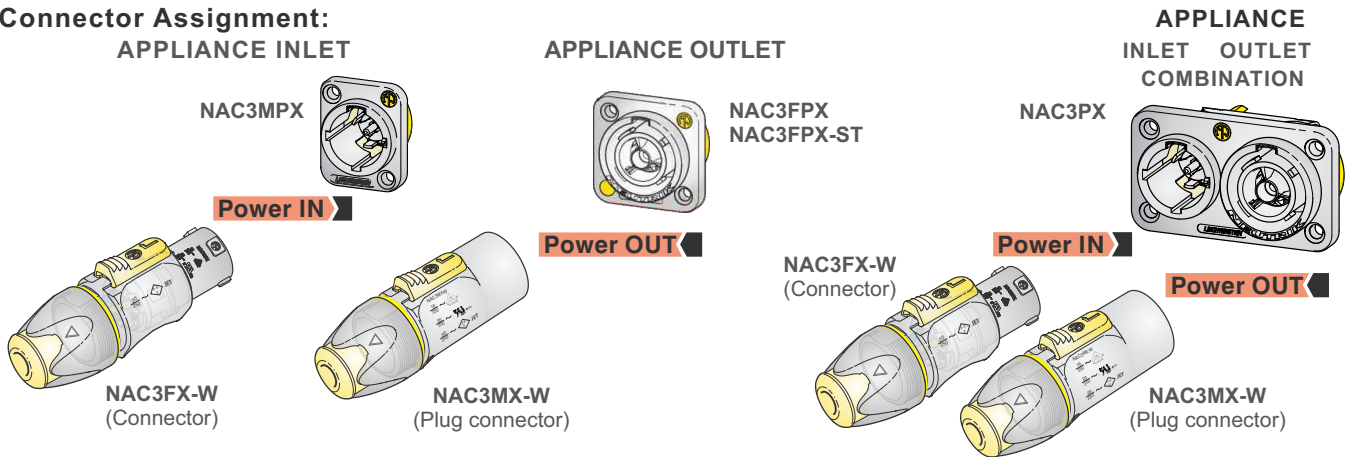


## 2. UNLOCKING



**Application:**  
The powerCON TRUE1 system is certified as a connector with breaking capacity according IEC 60320, VDE 0625. It is intended for use as an appliance coupler and interconnection coupler. It serves to supply power to an appliance and from an appliance to other equipment. To be installed by qualified person only.

### Connector Assignment:



|                        |   |   |
|------------------------|---|---|
| <b>Approval based:</b> | <b>VDE</b><br>EN 60320-1/EN60320-2-2  | <b>UL</b><br>UL 498 / CSA C22.2 No. 182.3 |
| <b>Rating:</b>         | 250 V ac / 16 A   | 250 V ac / 20 A                           |
| <b>Cable Type:</b>     | H05VV-F3G 1.0 mm <sup>2</sup> , Length max. 2 m<br>H05VV-F3G 1.5 - 2.5 mm <sup>2</sup><br>H07RN-F3G 1.5 mm <sup>2</sup> | SJTOW, SJOOW 3 x 12 AWG                   |
| <b>Strain Relief:</b>  | White chuck   | White chuck                               |
| <b>Cable O.D.:</b>     | 6.0 - 12.0 mm   | 6.0 - 12.0 mm                             |

|                        |             |                       |                     |                         |     |                      |                     |
|------------------------|-------------|-----------------------|---------------------|-------------------------|-----|----------------------|---------------------|
| NEUTRIK AG             | LI          | T: +423/237 24 24     | F: +423/232 53 93   | NEUTRIK France          | FR  | T: +33 1/4131 6750   | F: +33 1/4131 0511  |
| NEUTRIK USA Inc.       | USA         | T: +1 704 / 972 3050  | F: +1 704/438 9202  | NEUTRIK Tokyo Ltd.      | JP  | T: +81 3/3663 4733   | F: +81 3/3663 4796  |
| NEUTRIK (UK) Ltd.      | UK          | T: +44 1983/811 441   | F: +44 1983/811 439 | NEUTRIK Hong Kong Ltd.  | HK  | T: +852/2687 6055    | F: +852/2687 6052   |
| NEUTRIK Vertriebs GmbH | DE/NL/AT/DK | T: +49 8131 / 280 890 | F: +49 8131/280 830 | NEUTRIK India Pvt. Ltd. | IND | T: +91/982 05 43 424 | F: +91/22 26163 540 |

Draft. Nr.: BDA 531 | Update: 19.12.2017 | Data subject to change without prior notice. ©2017 NEUTRIK®. ALL RIGHTS RESERVED. NEUTRIK® is a registered trademark.