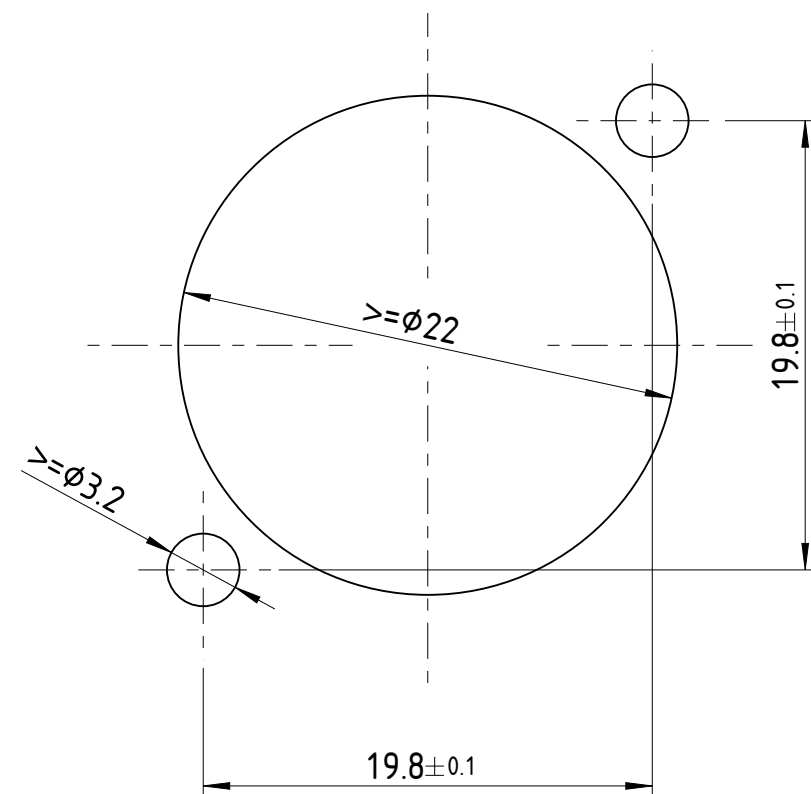
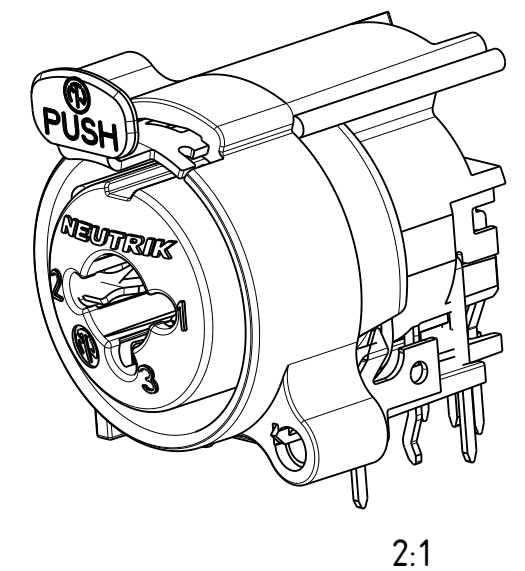
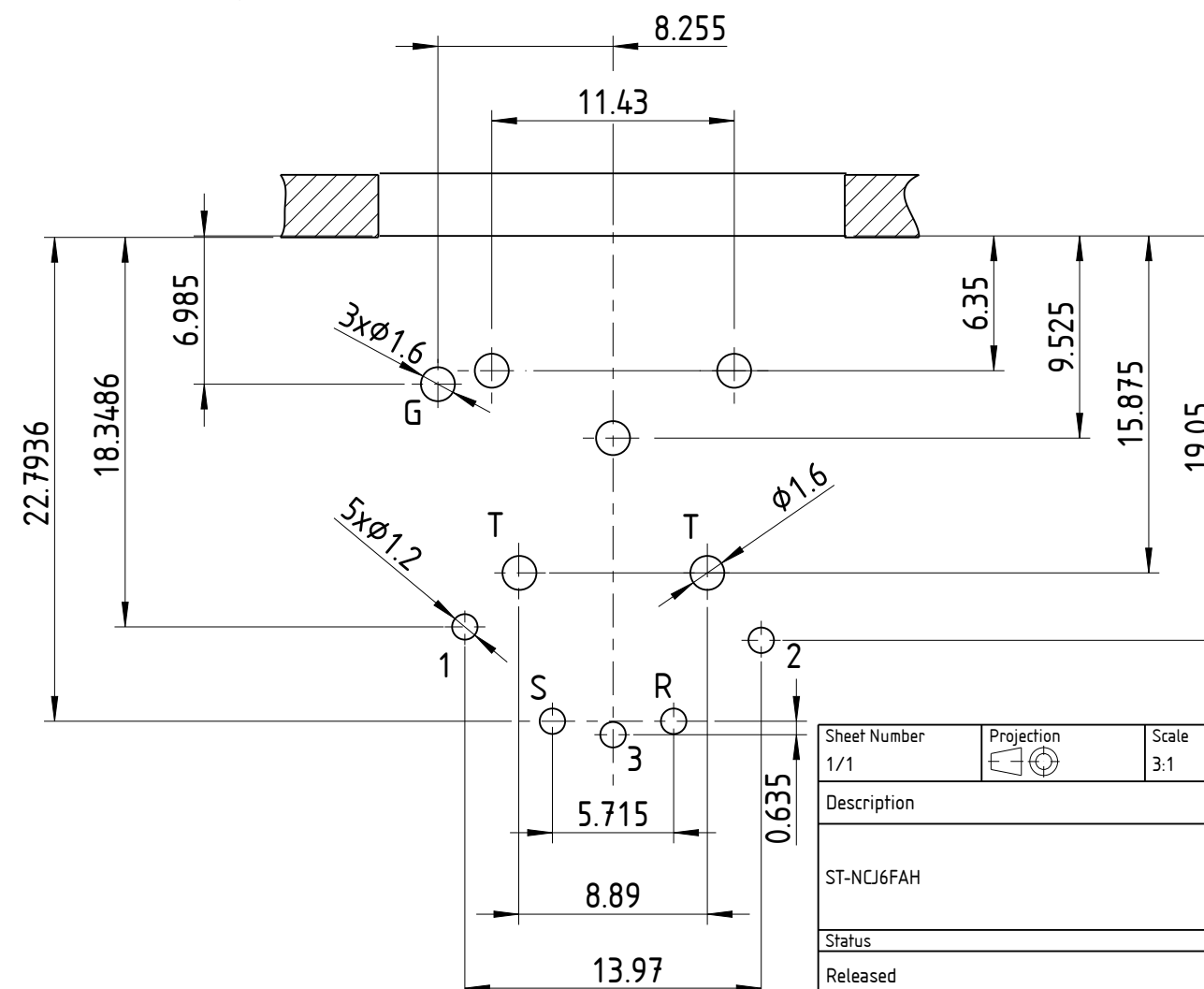


Frontplattenausschnitt (Rückseite)
Panel cut out (rear side)



Print-Bohrplan (Bestückungsseite)
PCB-layout (component-side)



Sheet Number 1/1	Projection 	Scale 3:1	Format A3	General Tolerancing ISO 2768 mK	
Description			Created on/by	13.08.2007	Hofmann T.
ST-NCJ6FAH			Approved on/by	09.08.2023	Schuster R.
			Article ID	Model ID	Drawing ID
Status			Revision	ECN Number	
Released			-		
			Neutrik Group		