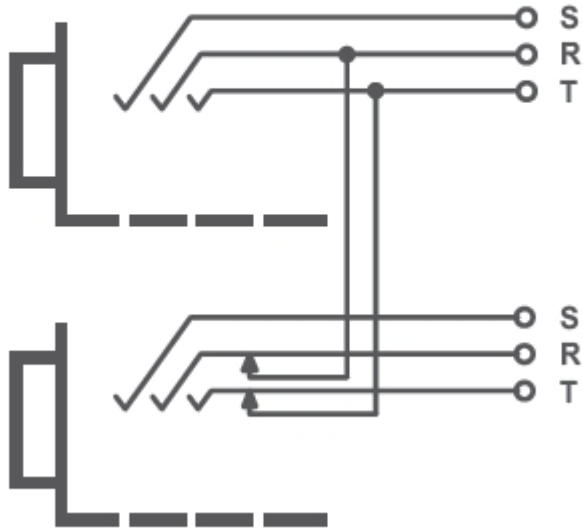




NJ3TTA-4-HNB

Blocks of 2 pre-configured jack-pairs, half normalised bottom row, cover ident color: clear

Half Normalised Bottom



Technical Information

Product	
Title	NJ3TTA-4-HNB
Connection Type	Patch Panel

Electrical	
Signal Type	Digital suitability acc. AES/EBU (3.072 Mb/s and 6.144 Mb/s)
Contact resistance	20 m Ω
Contact resistance	< 25 m Ω
Dielectric strength	1 kVdc
Frequencyrange	DC to > 50 MHz
Insulation resistance	> 1 G Ω @ 500 V dc
Channel separation	> 100 dB @ 10 kHz, 600 terminated > 40 dB @ 6 MHz, 110 terminated

Mechanical	
Insertion force	< 10 N
Withdrawal force	> 8 N
Lifetime	> 5000 mating cycles
Wire size	

Material	
Contact plating	TRIBOR® (0.2 µm AuCo over 2 µm NiP) (Jacks)
Contacts	Bronze (CuSn6) (Jacks)
Shell	PA 66 blend (Jacks)

Environmental	
Temperature range	-30 °C to +80 °C