

**NEW**  
TENTATIVE

# PowerCon® 32 Amp

*For demanding power transfer and load*

Q u a l i t y   T h i n k i n g



- *Locking single phase AC appliance coupler*
- *High current capacity (32 A rated)*
- *Fast and easy locking system*
- *Excellent cable handling and protection*
- *Extremely robust and reliable*

Q u a l i t y   D e s i g n



**NEUTRIK®**

CONNECTING THE WORLD

## Applications

The 32 Amp ac installation coupler is conceived as a non-standardized 3 pole connection system without breaking capacity to serve the needs of high power distribution systems and supplies for professional audio and lighting equipment and installations. The system consists of two connectors - a chassis receptacle and a rewirable cable connector with locking mechanism. The connectors comprise of contacts for phase, neutral and protective earth (ground) conductors rated for currents up to 32 A and for voltages up to 250V.

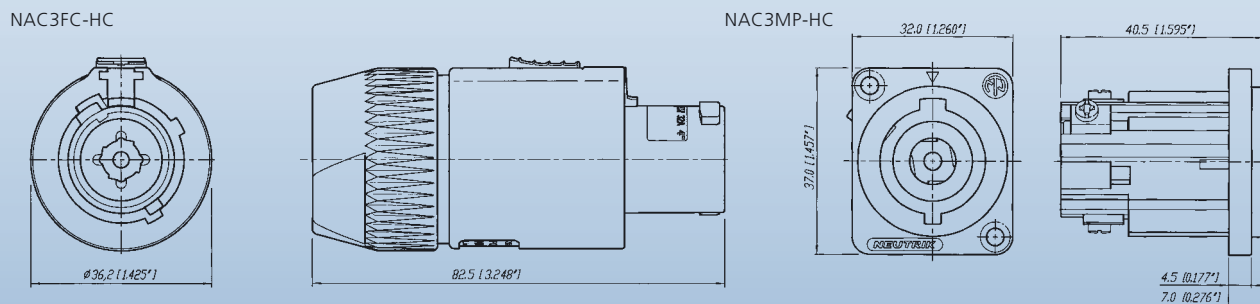
### The coupler features:

- 250 V ac, 32 Amp single-phase (for ambient temperatures up to 35°C)
- Premating contact for protective earth
- Locking system to prevent unintentional disengagement
- Cable O.D. Range: 8 - 20 mm
- Wiring with screw-type terminals for wires 2.5 to 6.0 mm<sup>2</sup> (AWG 14 - 10)

## Technical Data

Electrical		Materials	
Rated current:	32 A rms	Housing: - Cable Connector	Polyamide PA 6 30% GR
Rated voltage:	250 V ac	- Receptacle	Polyamide PA 6.6 25 % GR
Insulation resistance:	> 10 GΩ	Insert:	Polyamide PA 6.6 25 % GR
Dielectric strength:	4 kV peak	Contacts: - Cable Connector	Brass (CuZn39Pb3)
Contact resistance:	≤ 3 mΩ	- Receptacle	Bronze (CuSn0.2)
Creepage distance:	> 3 mm	Contact plating:	4 μm Ag
Safety Ground:	Premating	Locking Element:	Zinc diecast (ZnAl4Cu1)
Safety Standard:	JET approved, VDE and UL applied	Strain Relief:	Polyacetal (POM)
		Bushing:	Polyamide PA 6 15% GR
Mechanical		Environment	
Retention method:	Quick lock	Temperature range:	-25°C to +70°C
Life time (mating cycles):	> 1'000 cycles without load	Flammability:	UL 94 HB – plug housing UL 94 V-0 – socket housing +
Cable O.D. range:	8 - 20 mm		plug insert
Wiring:	Screw type terminals	Overvoltage Category:	III
- Cable Connector	2.5 - 6.0 mm <sup>2</sup> (14 - 10 AWG)	Pollution Degree:	2
- Receptacle	2.5 - 6.0 mm <sup>2</sup> (14 - 10 AWG)	Protection Degree:	IP 2x unmated

## Dimensional Drawing



## Ordering Information

NAC3FC-HC	PowerCon <sup>®</sup> 32 Amp cable connector
NAC3MP-HC	PowerCon <sup>®</sup> 32 Amp chassis connector

www.neutrik.com

**NEUTRIK AG**  
Liechtenstein  
Tel.: +423/237 24 24  
Fax: +423/232 53 93  
www.neutrik.com

**NEUTRIK Zürich AG**  
Switzerland  
Tel.: +41 44/736 5010  
Fax: +41 44/736 5011

**NEUTRIK (UK) Ltd.**  
Great Britain  
Tel.: +44 1983/811 441  
Fax: +44 1983/811 439

**NEUTRIK USA Inc.**  
USA  
Tel.: +1 732/901 9488  
Fax: +1 732/901 9608

**NEUTRIK Tokyo Ltd.**  
Japan  
Tel.: +81 3/3663 4733  
Fax: +81 3/3663 4796

**NEUTRIK France**  
France  
Tel.: +33 1/4131 6750  
Fax: +33 1/4131 0511

**NEUTRIK Vertriebs GmbH**  
Germany / Netherlands / Austria  
Tel.: +49 8131/28 08 90  
Fax: +49 8131/28 08-30

**NEUTRIK Hong Kong Ltd.**  
Hong Kong  
Tel.: +852 2687 6055  
Fax.: +852 2687 6052



**NEUTRIK<sup>®</sup>**

CONNECTING THE WORLD